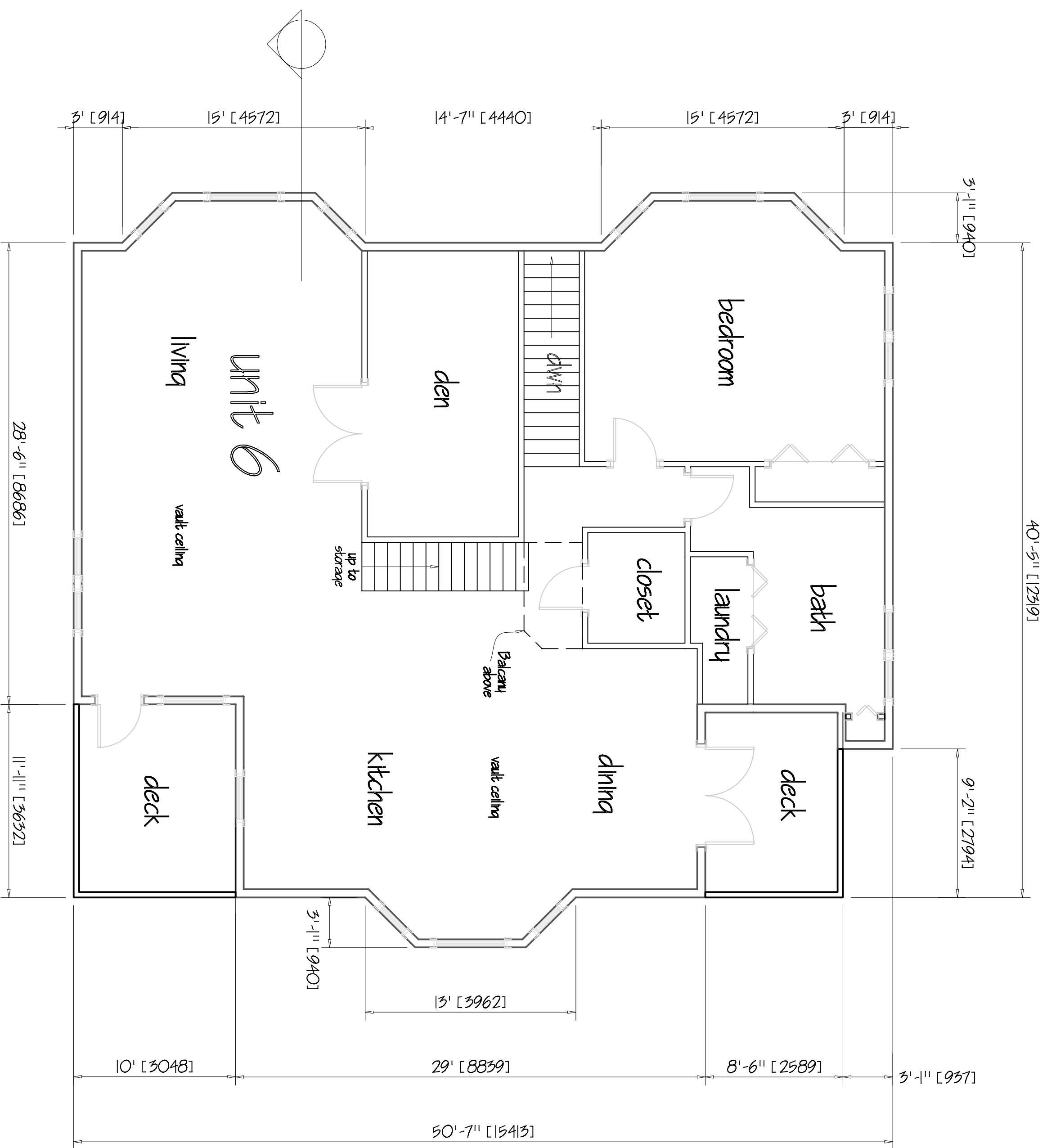
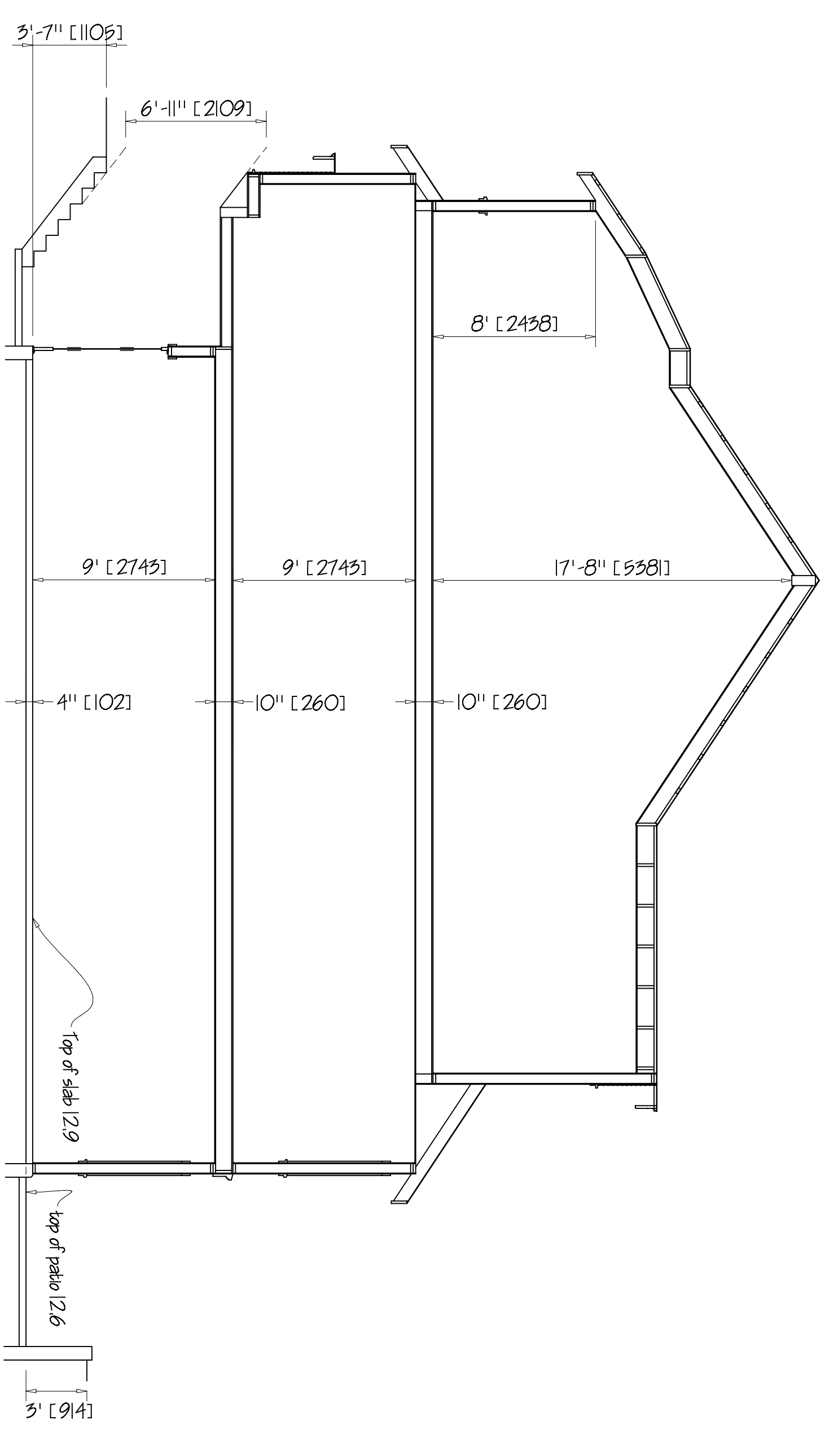


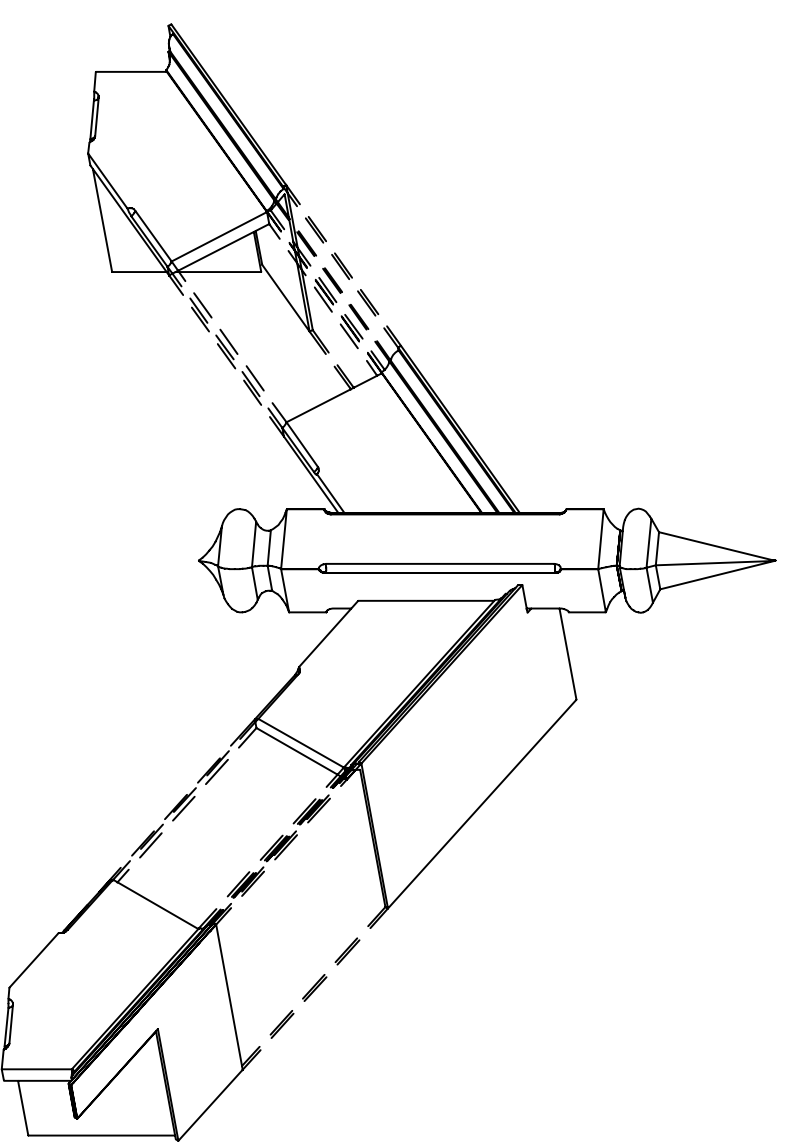
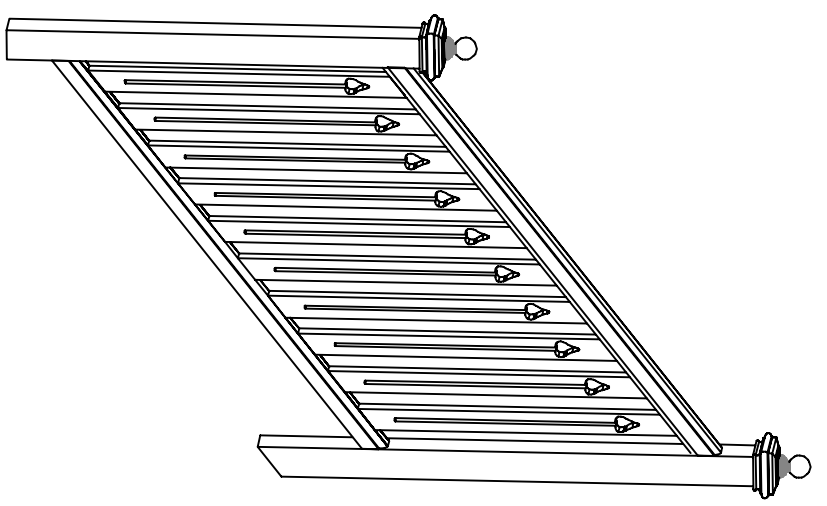
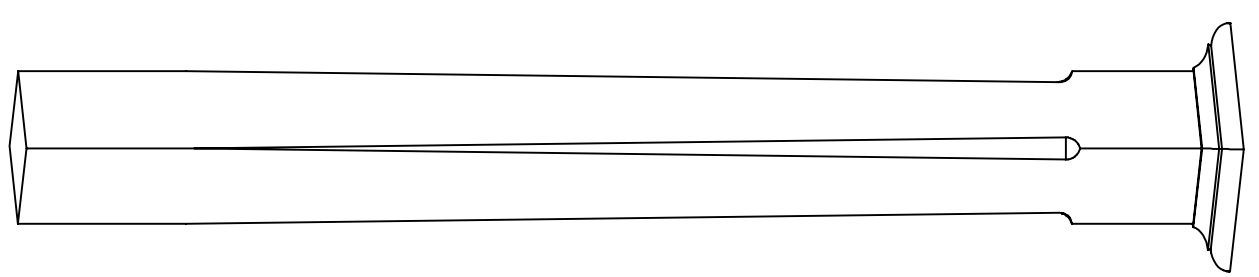
3rd Floor



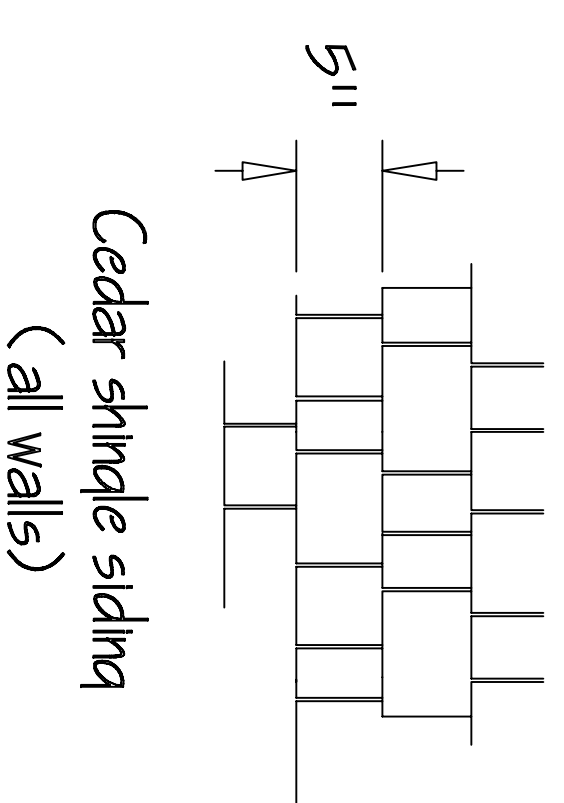
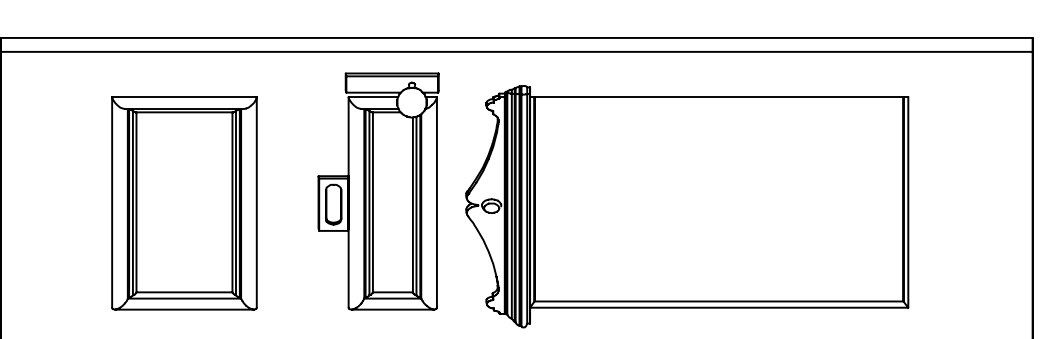
Section



Original details retained



Cable siding



Cedar shingle siding
(all walls)

Fir 1x4 t&g v-groove for all
soffit areas and above exposed
rafter tails c/ w moldings
(all eaves)



DATE	Apr 20, 08
DRAWING NO.	027
SHEET NO.	4 of 5
SCALE	3/8" = 1'
DRAWN BY	dk
APPROVED	
	1/7/19
	SL Larrance

COSYRER
CONSTRUCTION
288-3830 COOK ST.
986-0222
VICTORIA, B.C.